



NOAHBRICKS.COM

SUPER
OFFROAD
PICKUP TRUCK

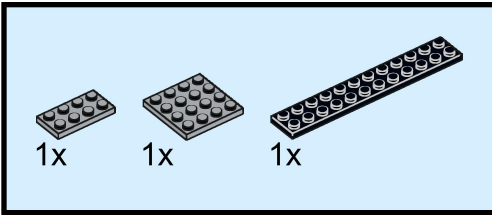
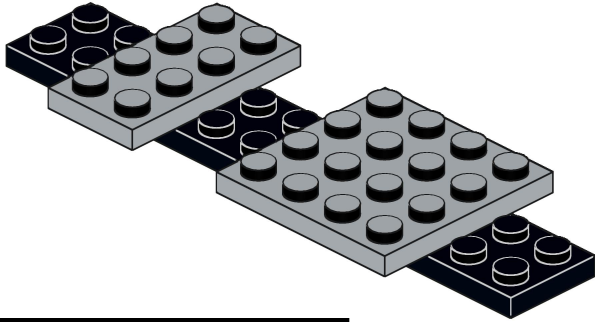


#5146001

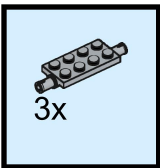
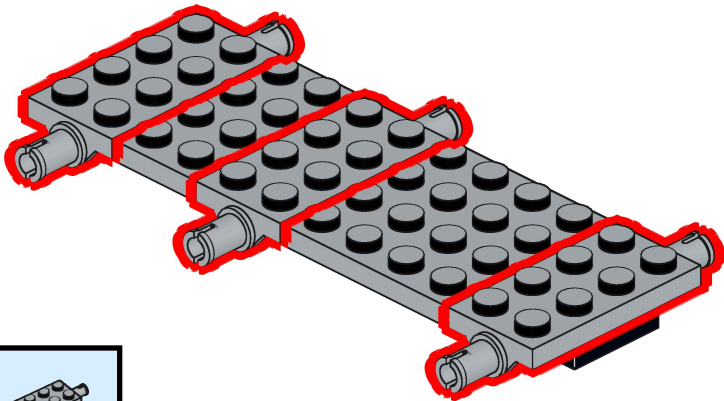
noahbricks.com/build/5146001



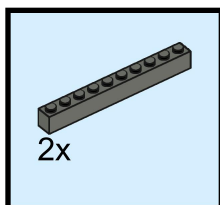
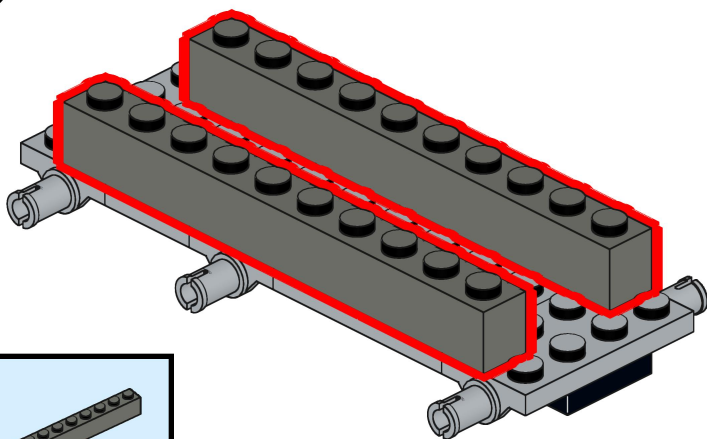
1



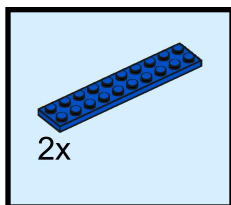
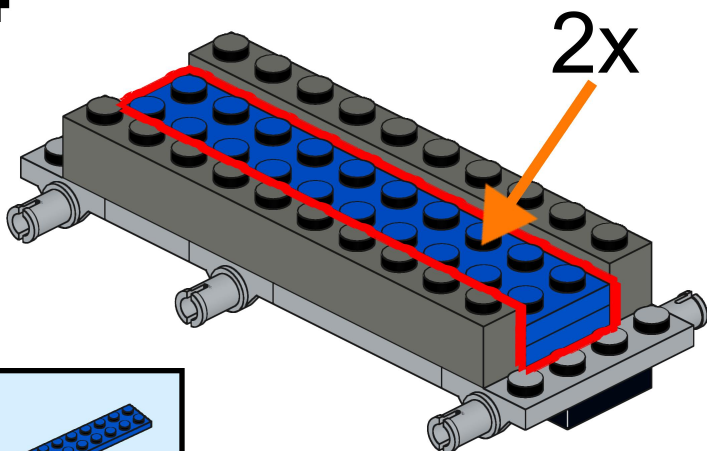
2



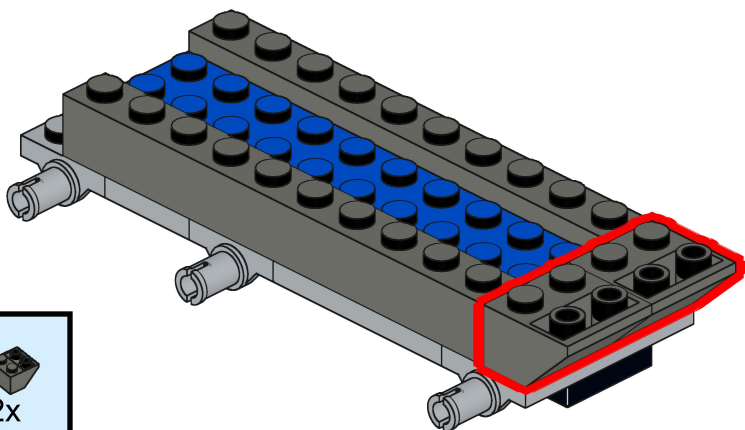
3



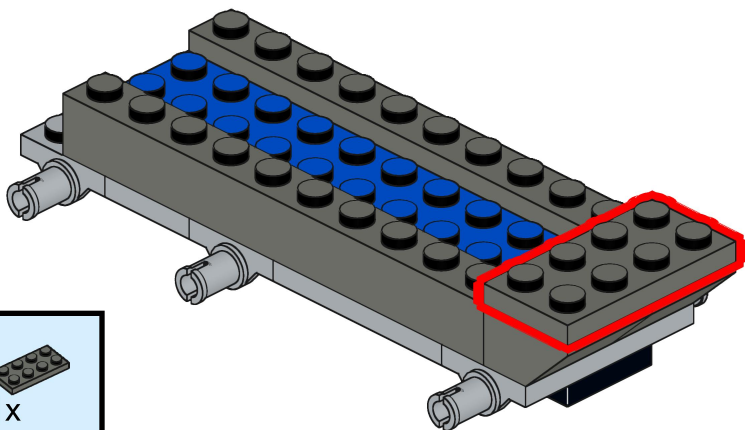
4



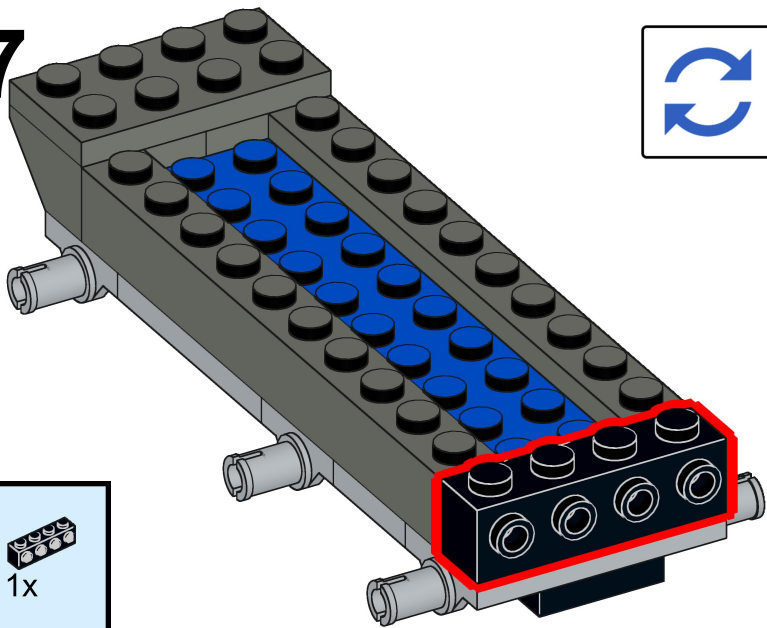
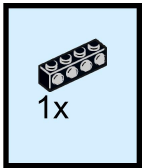
5



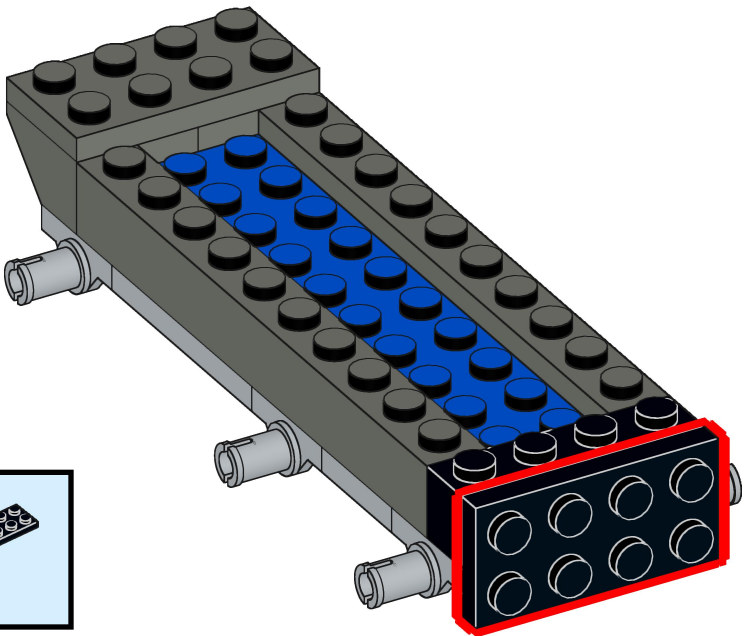
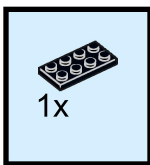
6



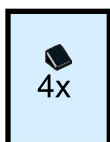
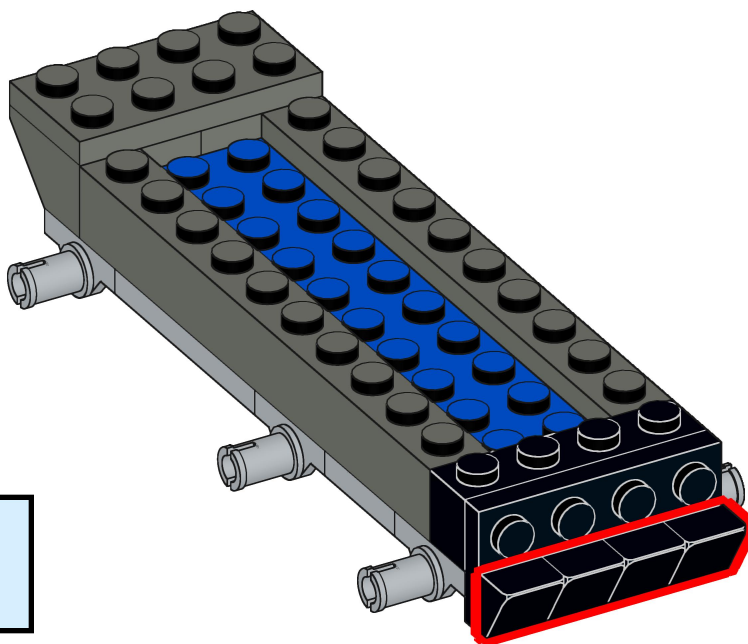
7



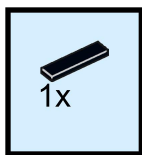
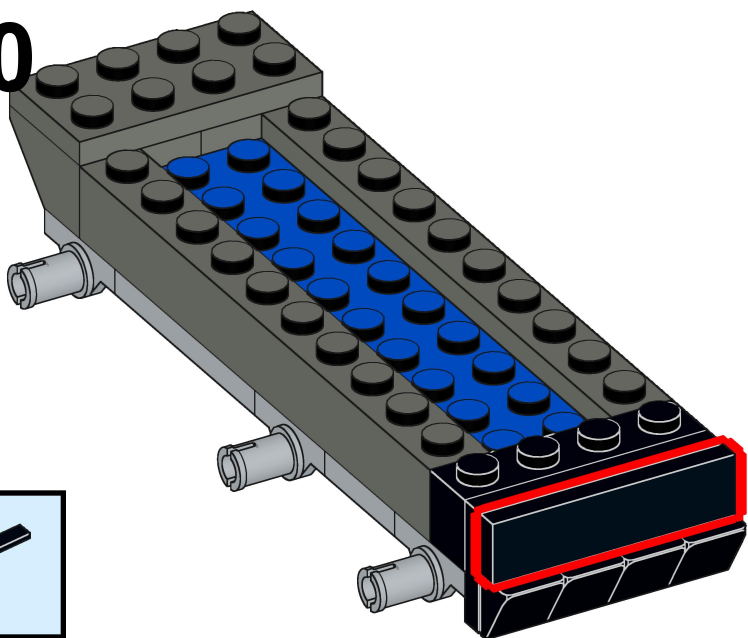
8



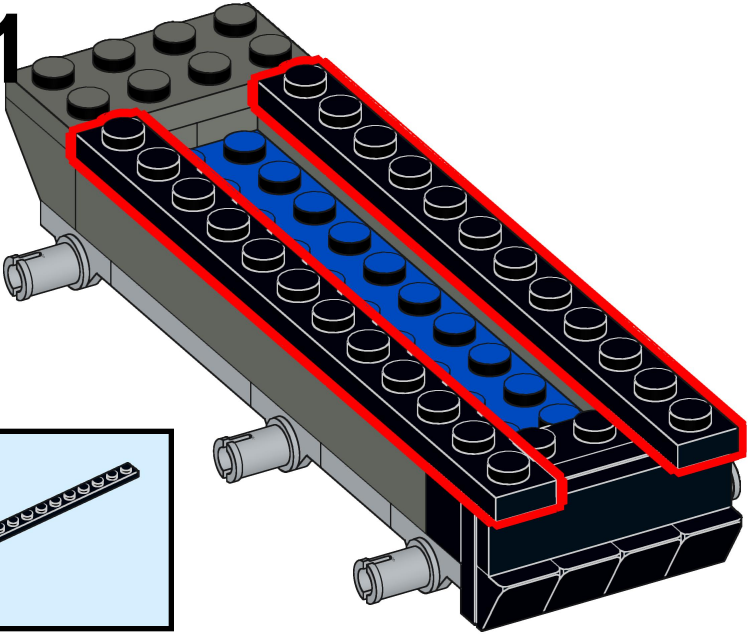
9



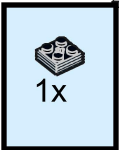
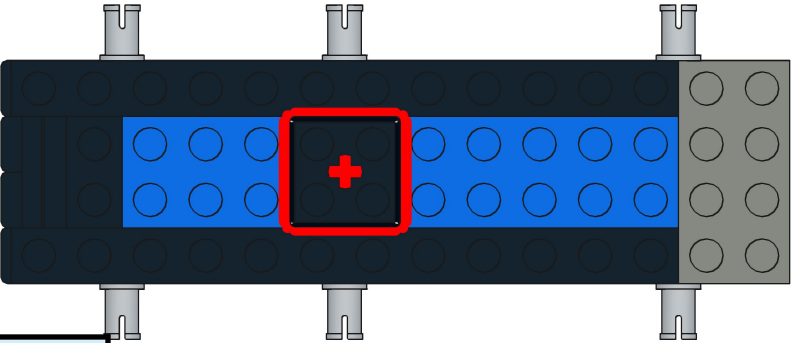
10



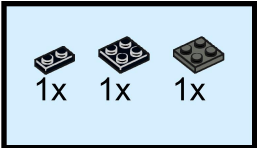
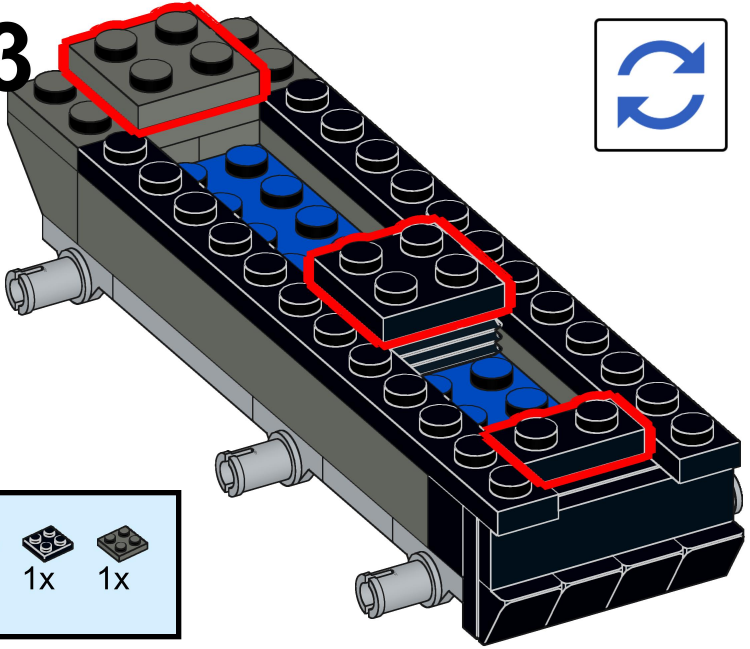
11



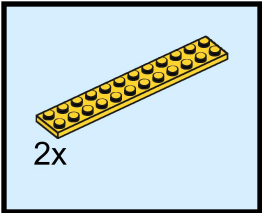
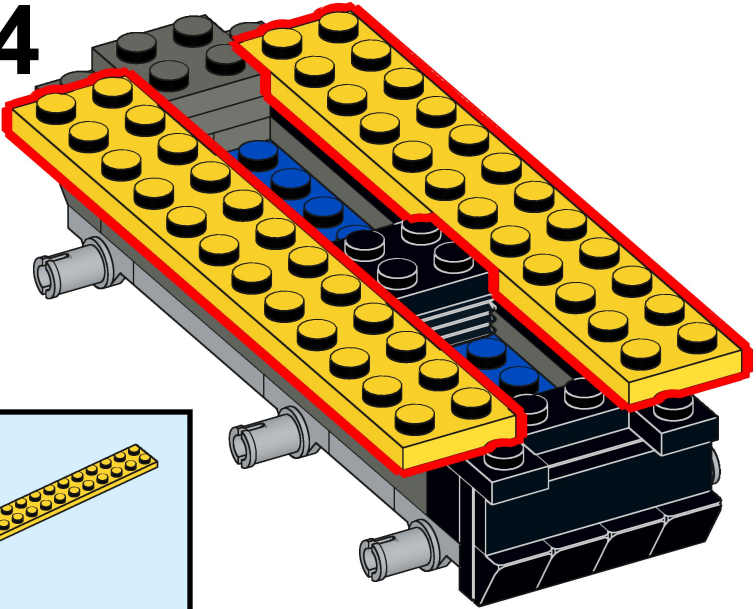
12



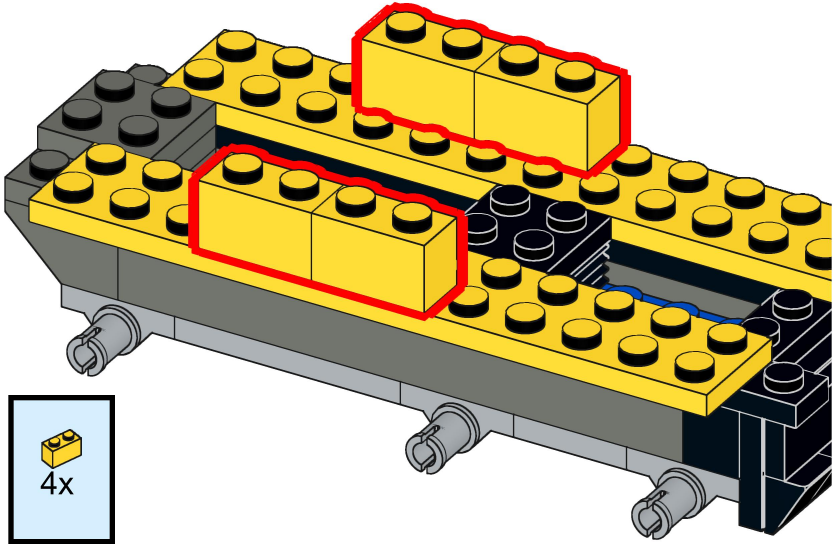
13



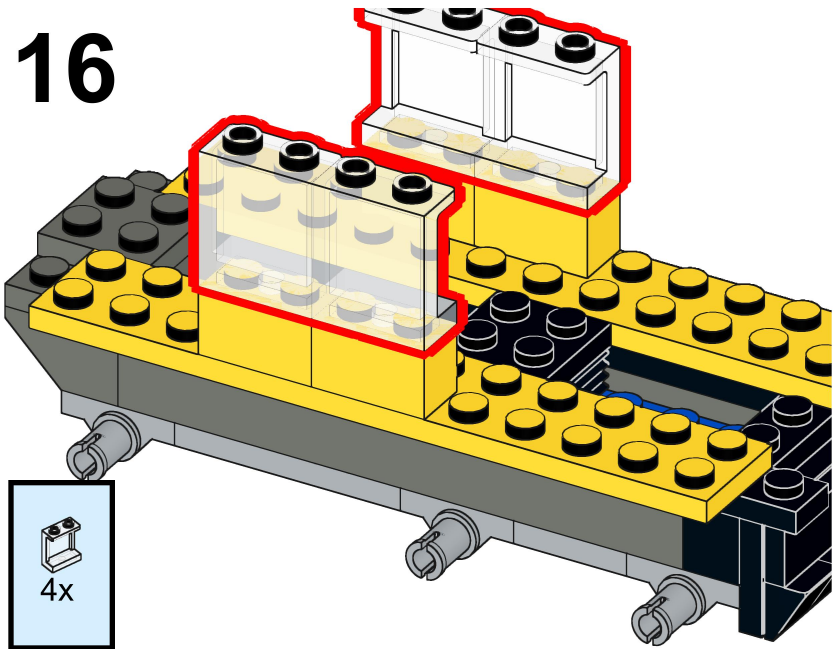
14



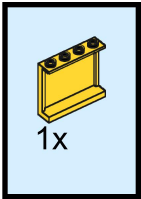
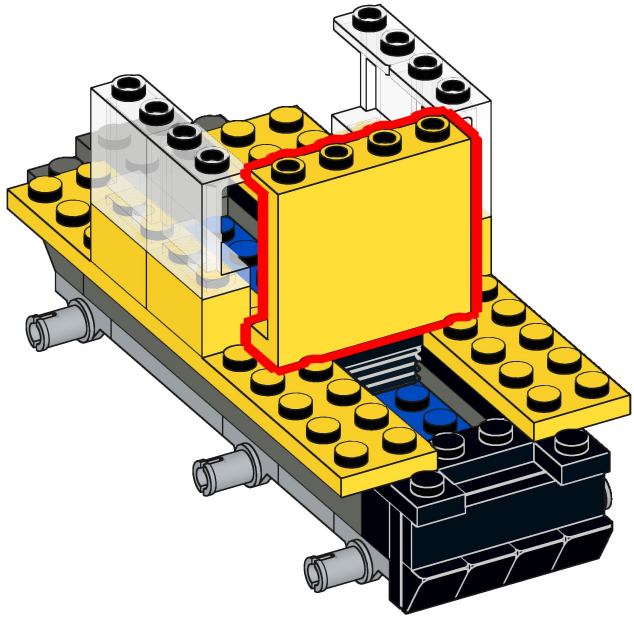
15



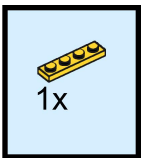
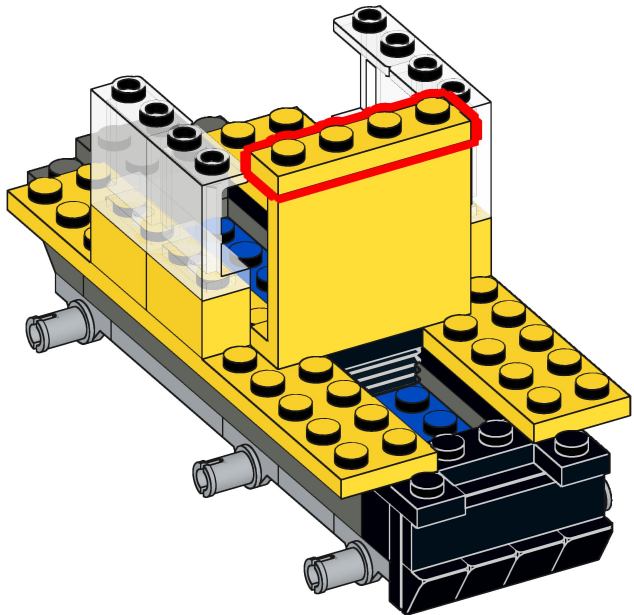
16



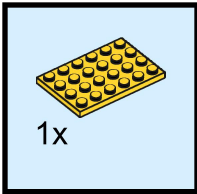
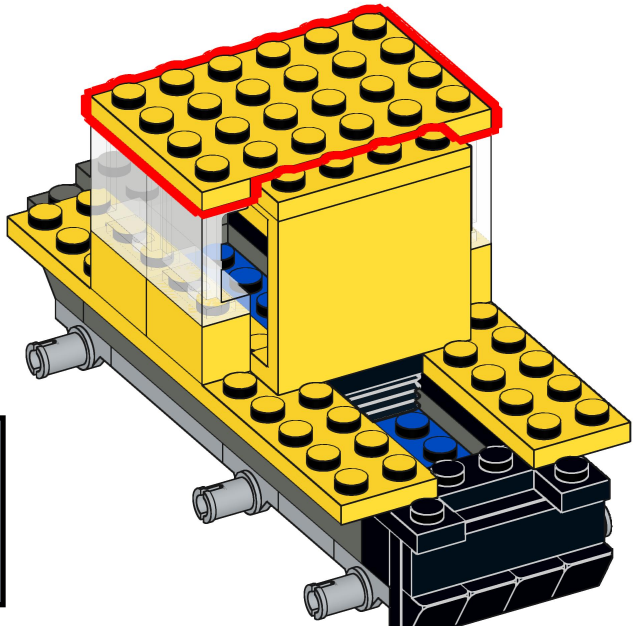
17



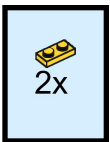
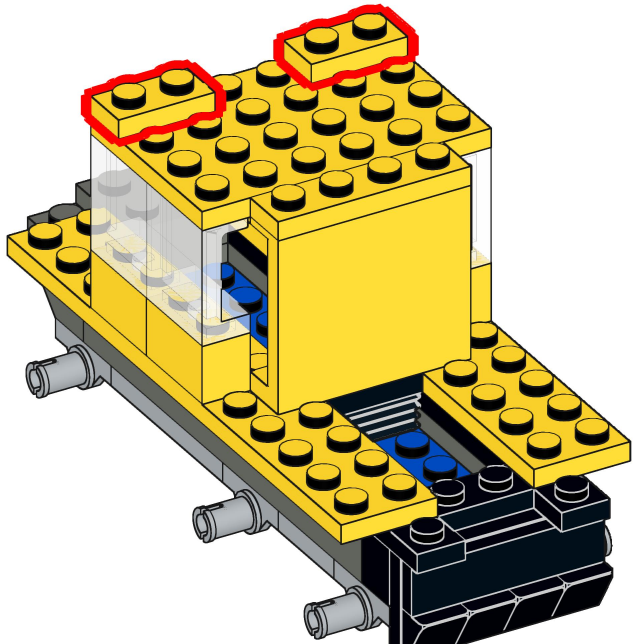
18



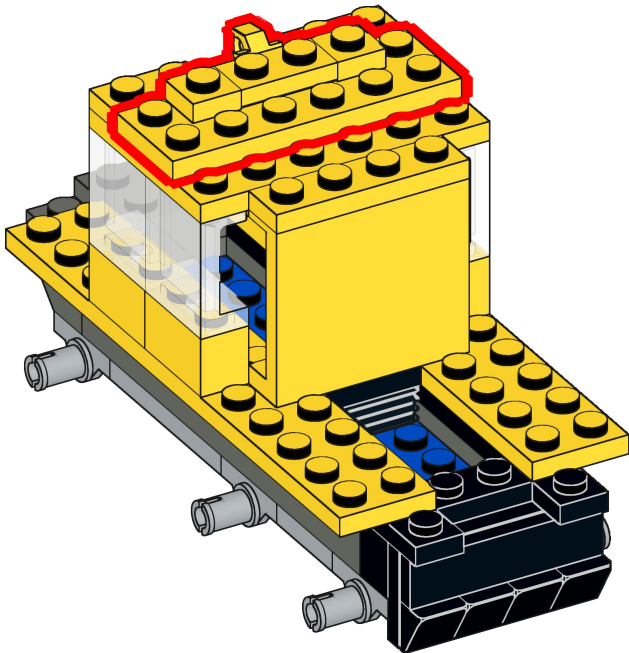
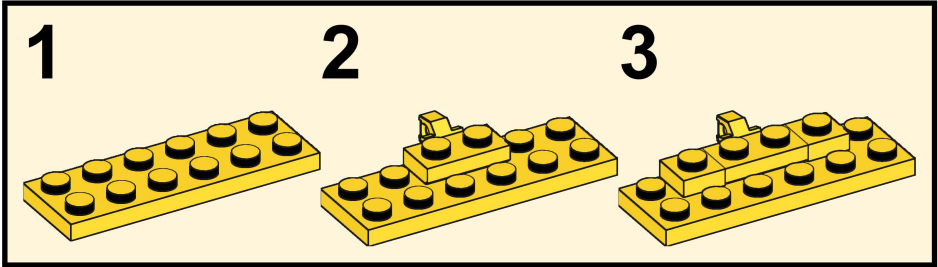
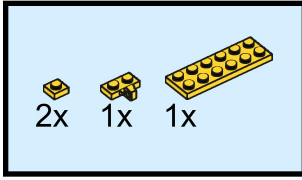
19



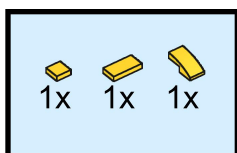
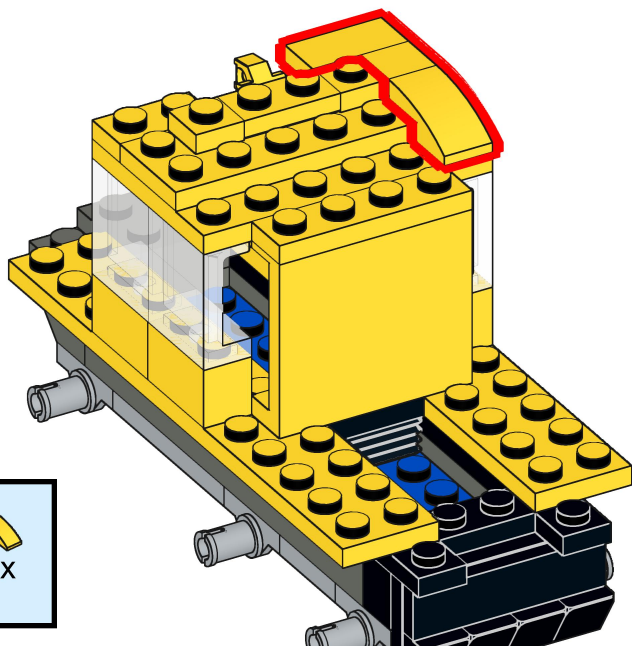
20



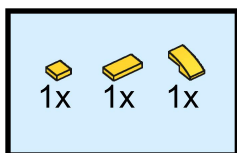
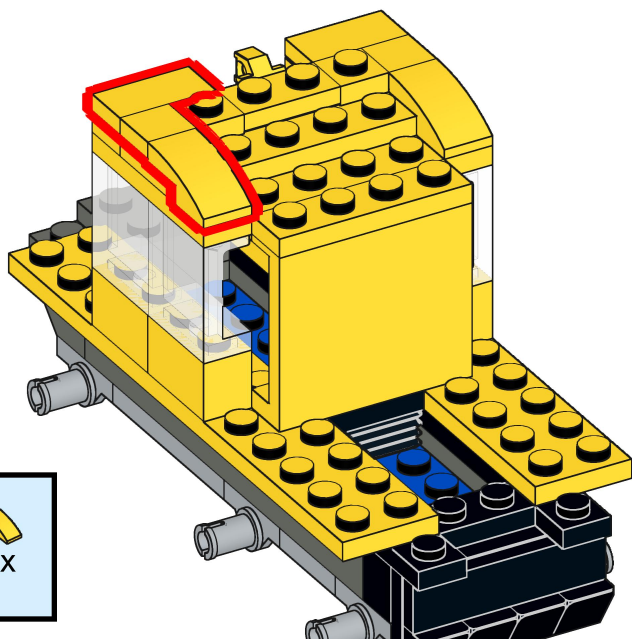
21



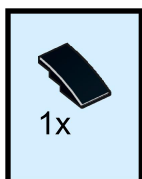
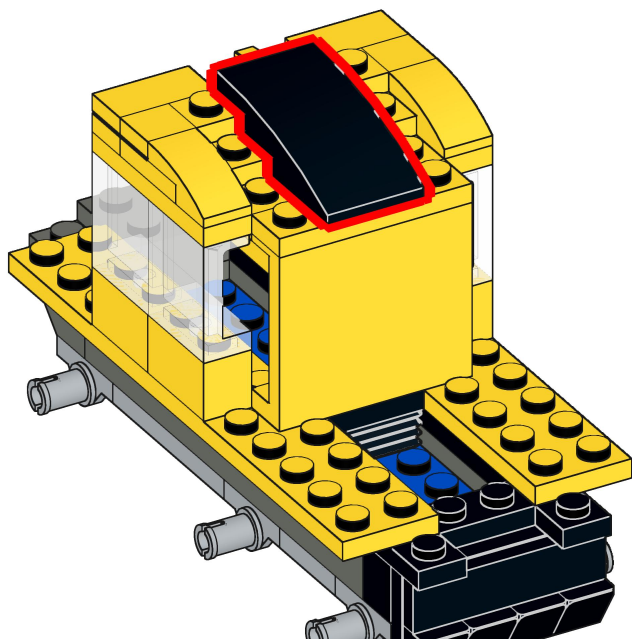
22



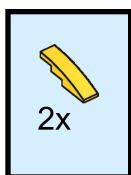
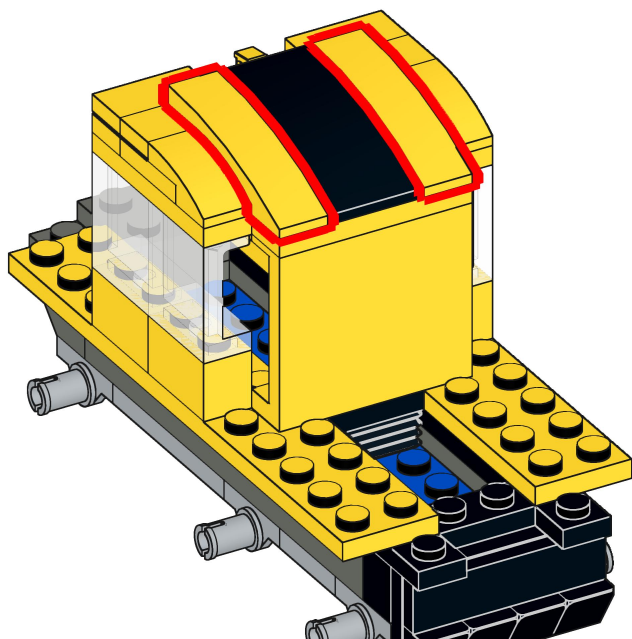
23



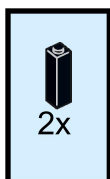
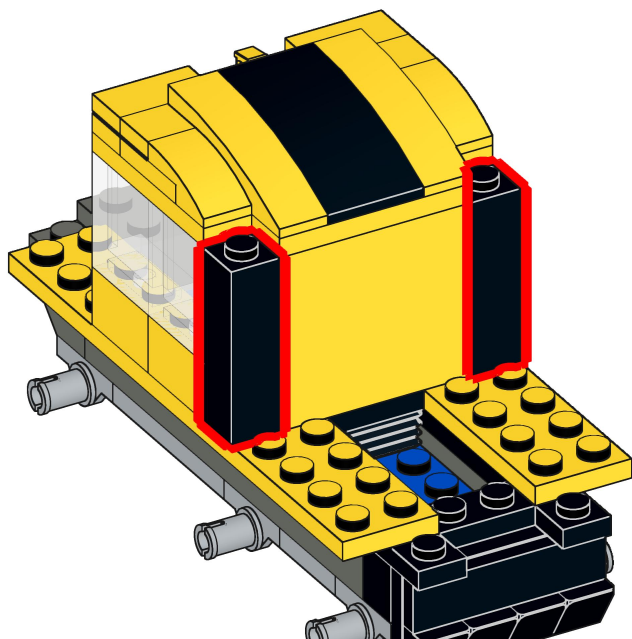
24



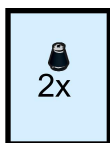
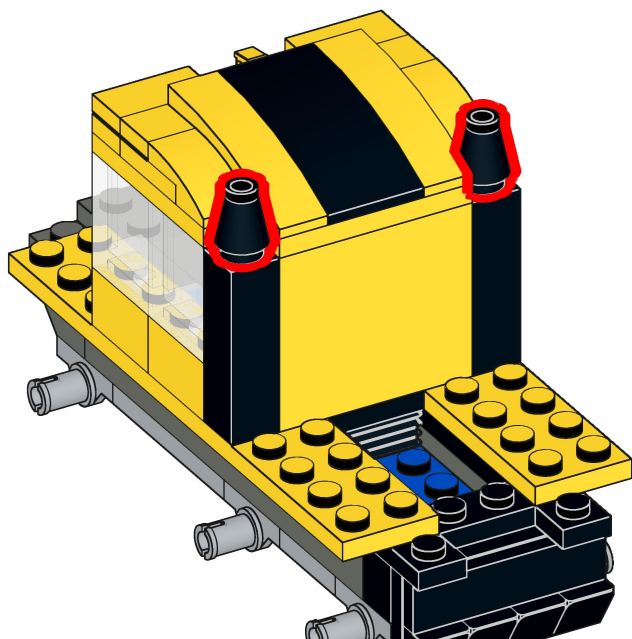
25



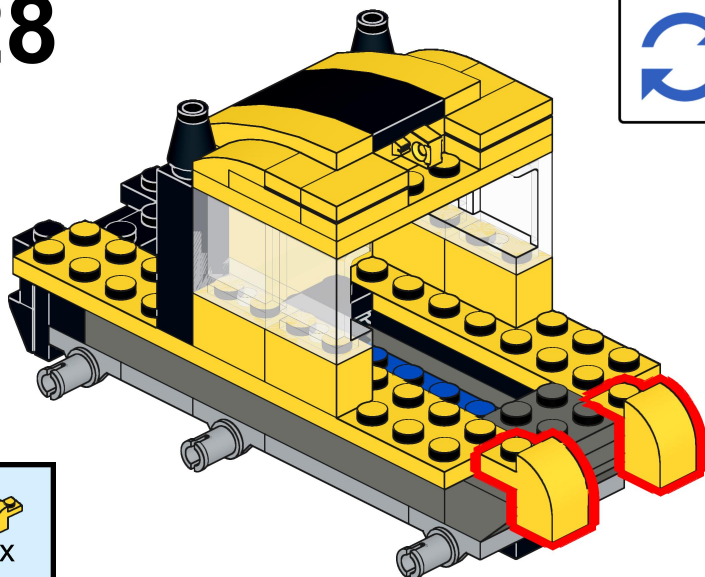
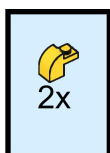
26



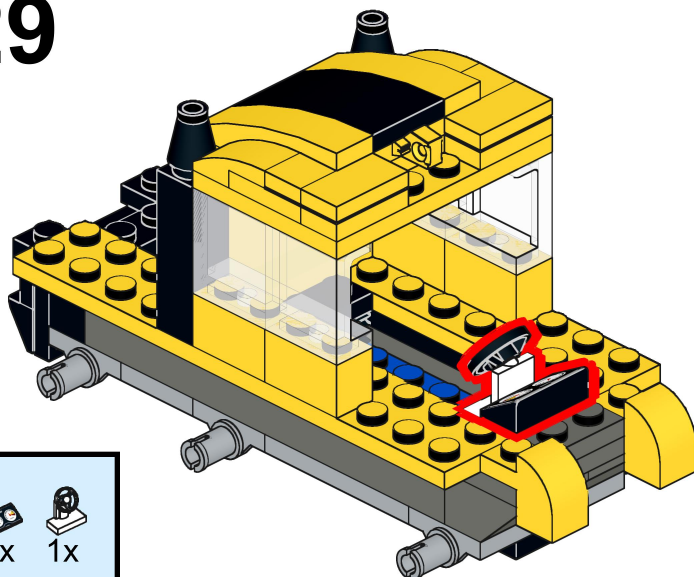
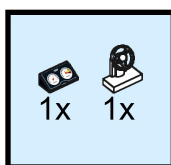
27



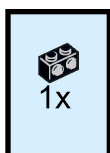
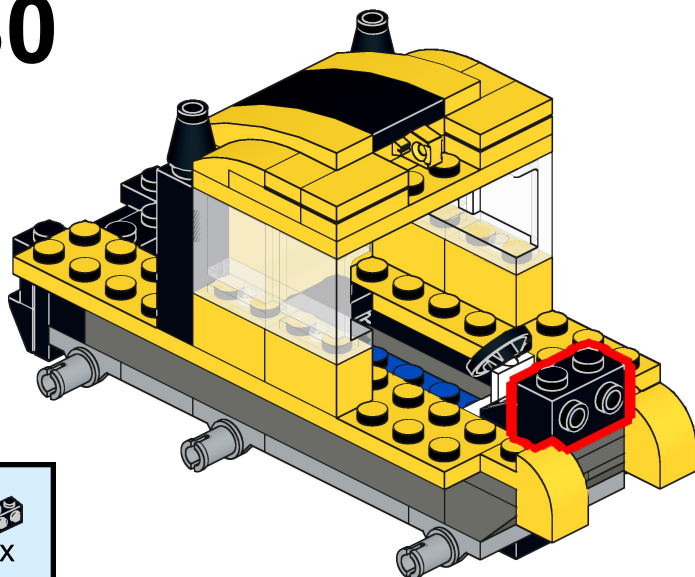
28



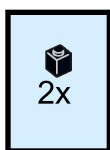
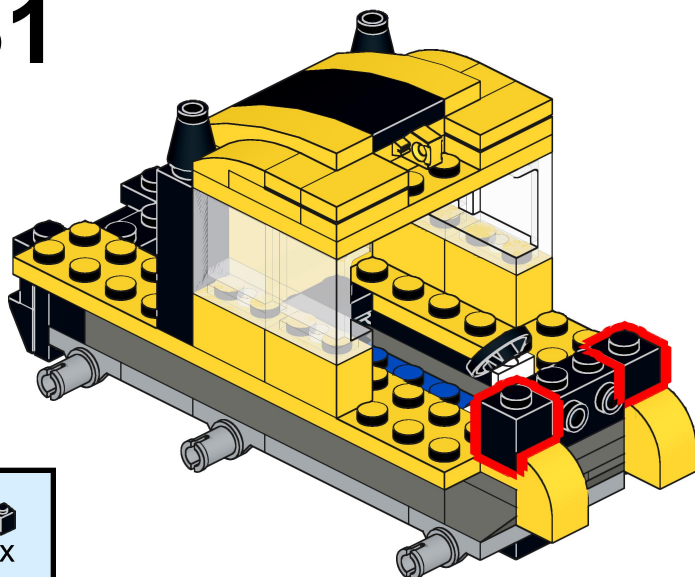
29



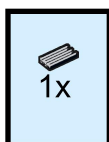
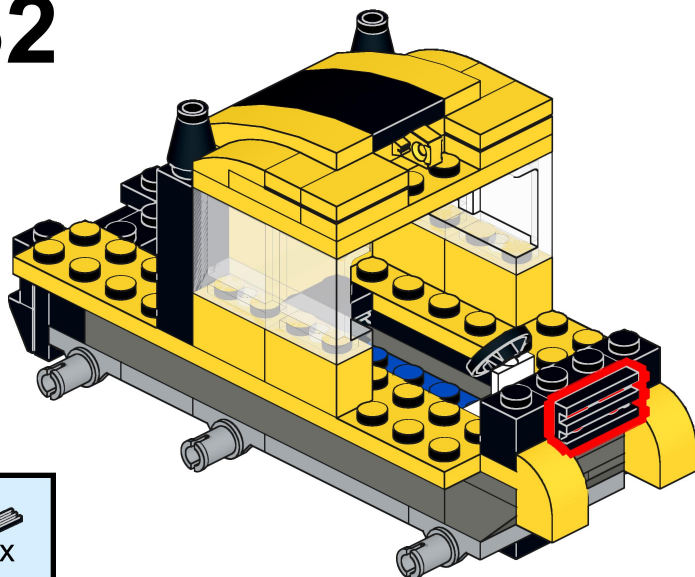
30



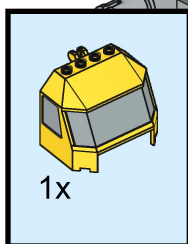
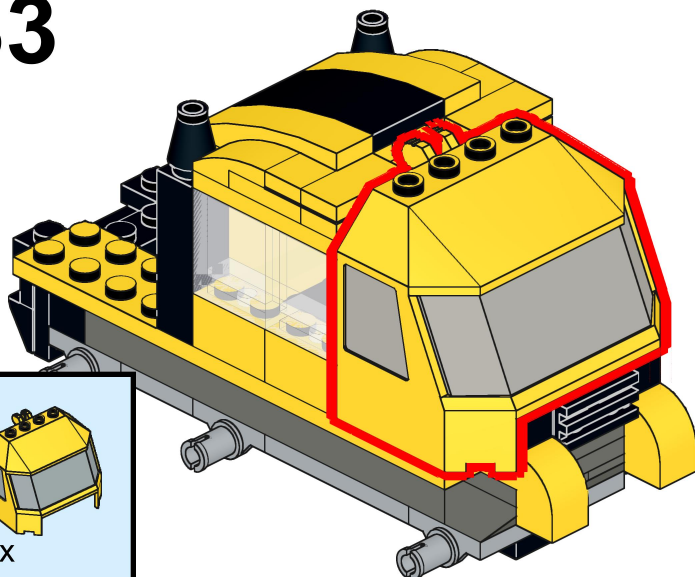
31



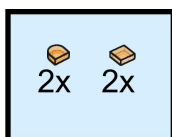
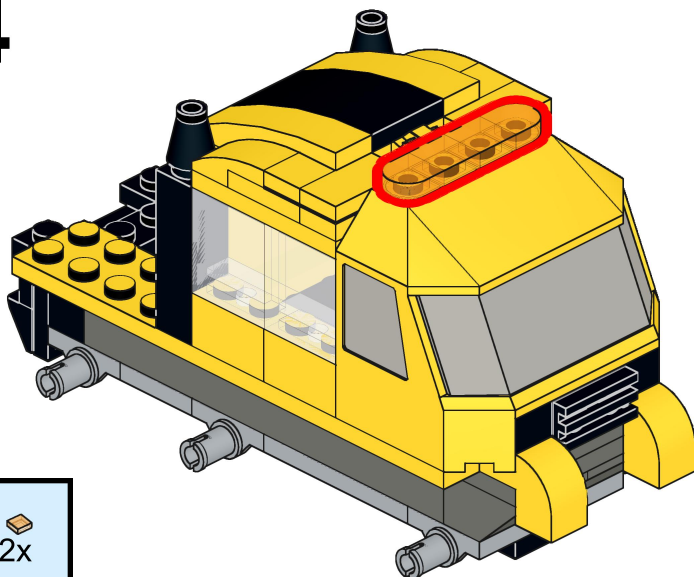
32



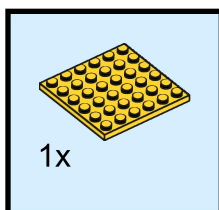
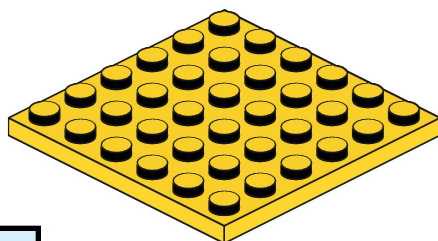
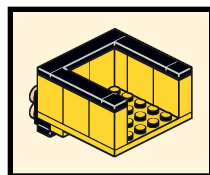
33



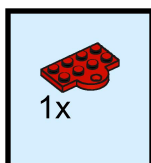
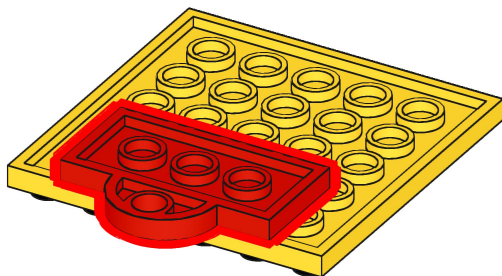
34



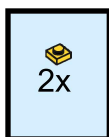
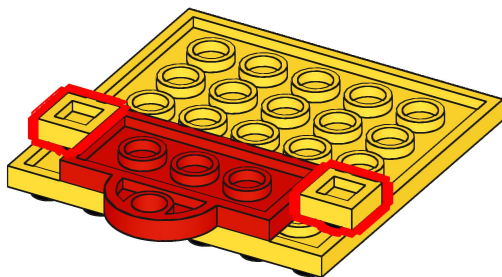
35



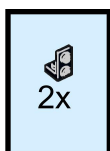
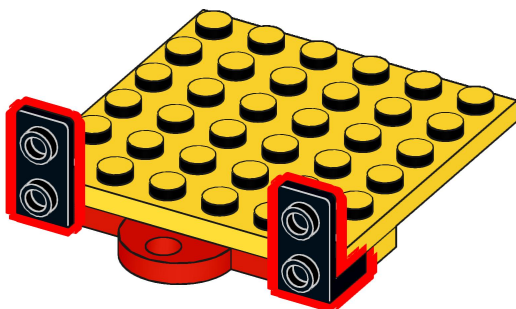
36



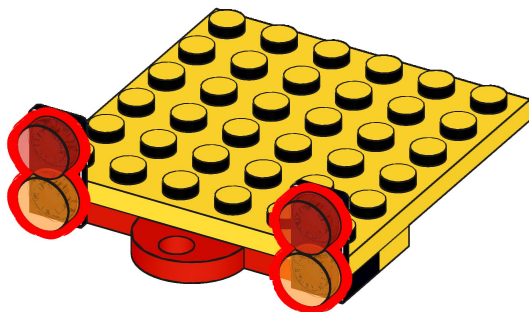
37



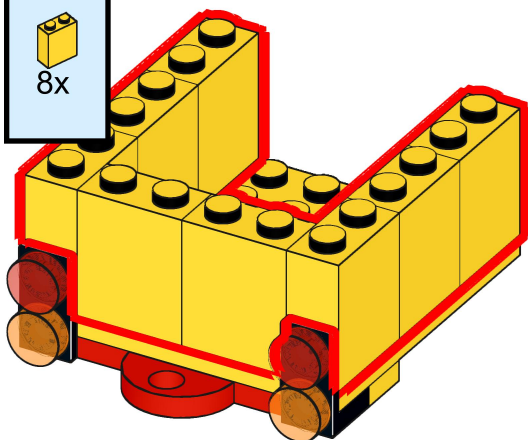
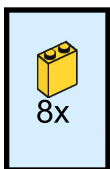
38



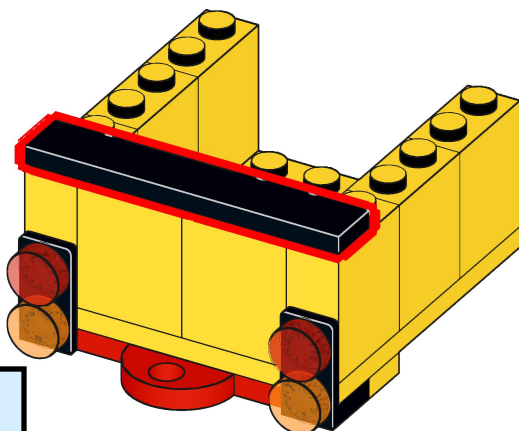
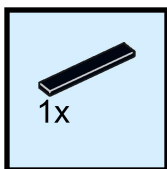
39



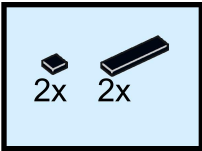
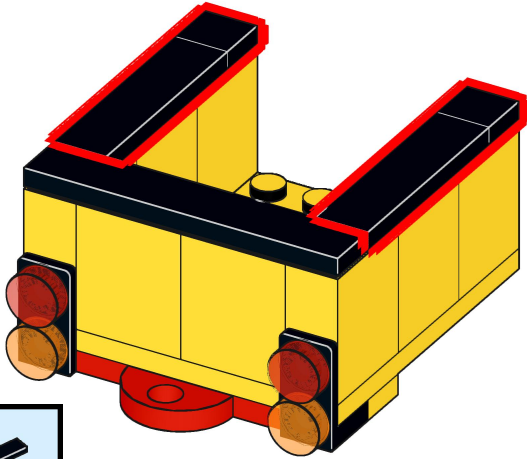
40



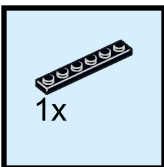
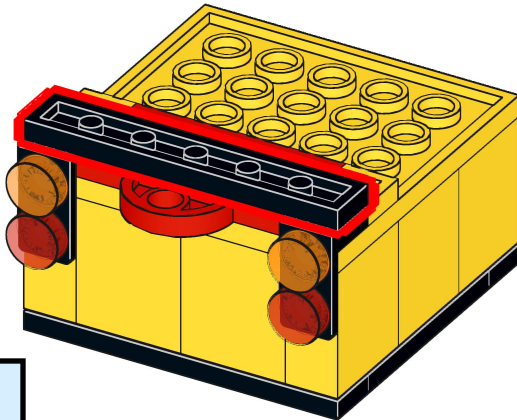
41



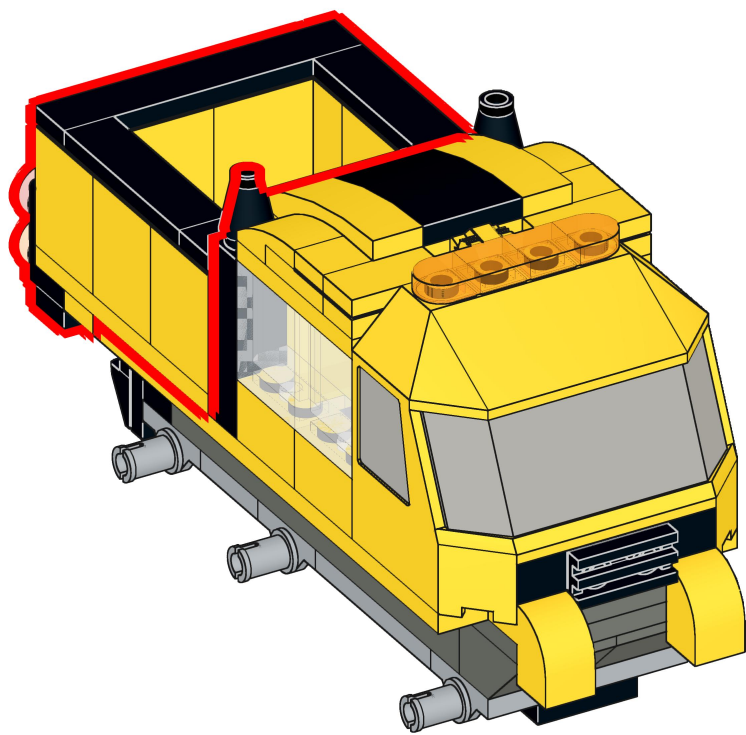
42



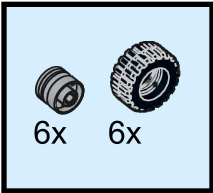
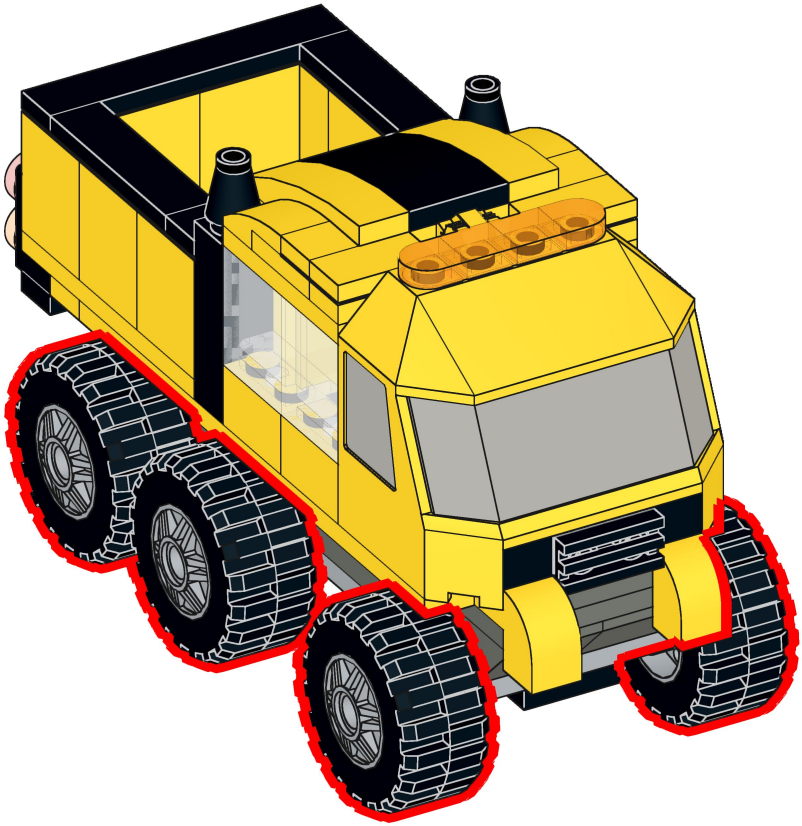
43



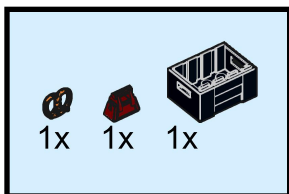
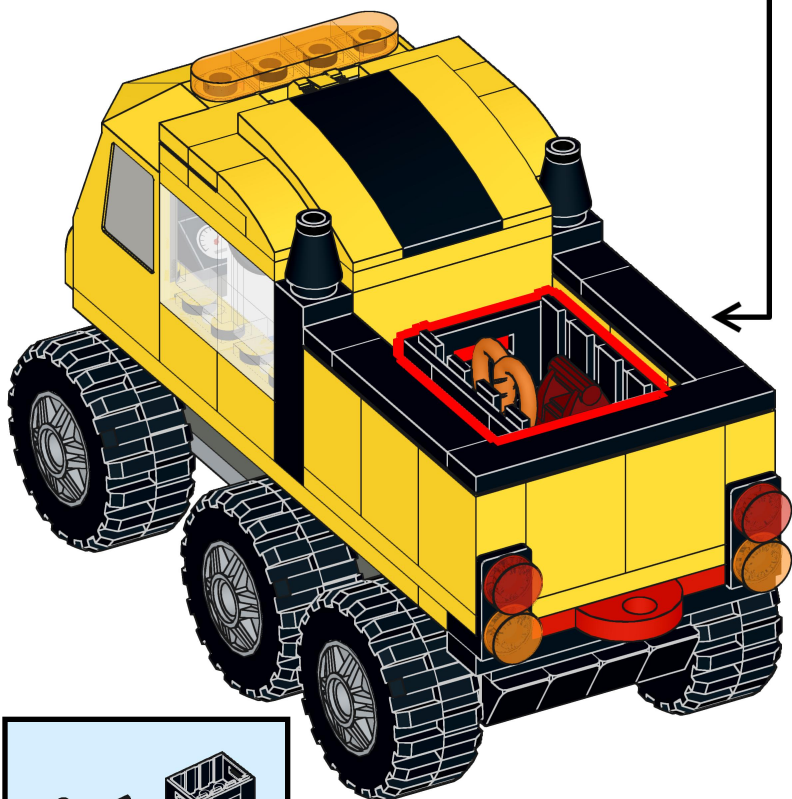
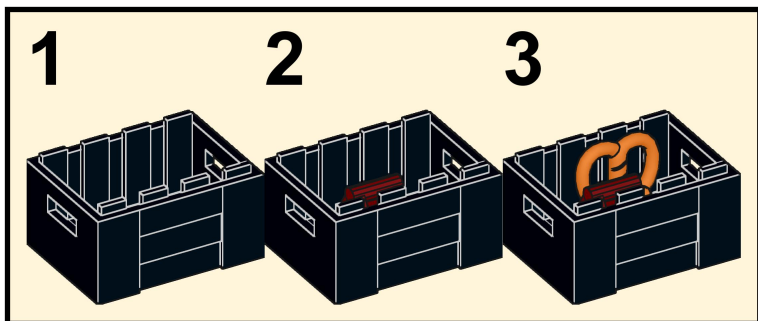
44



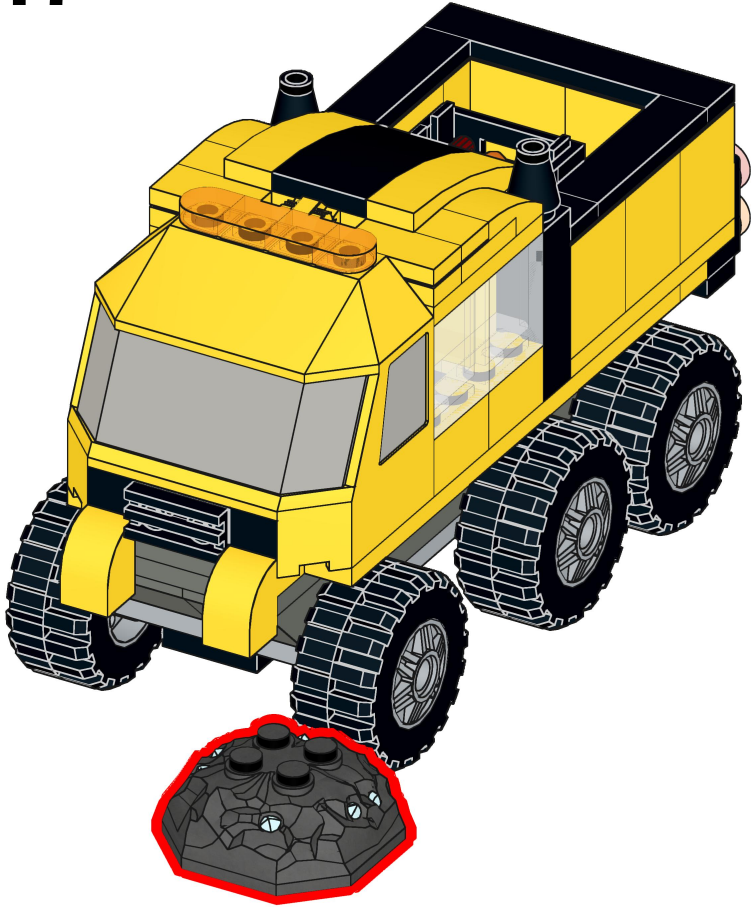
45



46



47



Conratulations! You have
successfully built Noah's Super
Offroad Pickup Truck!

Submit photos of your build and get
notified when new kits are available at
NoahBricks.com.